

COMMAX

COMMAX Co.,Ltd.

513-11, Sangdaewon-dong, Jungwon-gu, Seongnam-si, Gyeonggi-do, Korea

Int'l Business Dept. Tel. : +82-31-7393-540~550 Fax. : +82-31-745-2133

Web site : www.commax.com

Printed In Korea / 2011.01.103

Since 1968

Home Network
COMMAX

User Manual

DOOR STATION DR-2G / 2GR



www.commax.com

COMMAX Co.,Ltd.



- Thank you for purchasing COMMAX products.
- Please carefully read this User's Guide (in particular, precautions for safety) before using a product and follow instructions to use a product exactly.
- The company is not responsible for any safety accidents caused by abnormal operation of the product.

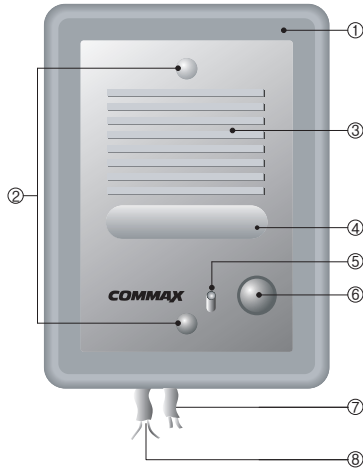
Table of Contents

1. Greeting	2
2. Overview	3
3. Wiring and Installation	4
4. Specification	7

1. Greetings

- * Thank you for purchasing a COMMAX product.
- * Please read this manual before use and properly follow its instructions.

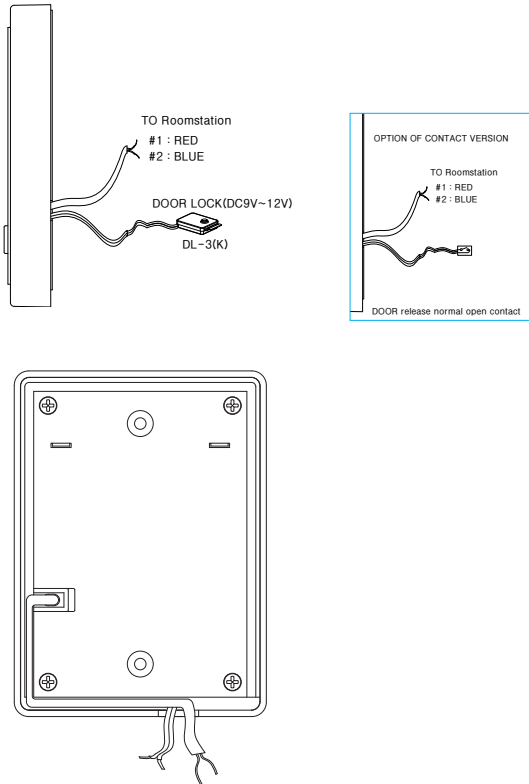
2.Overview



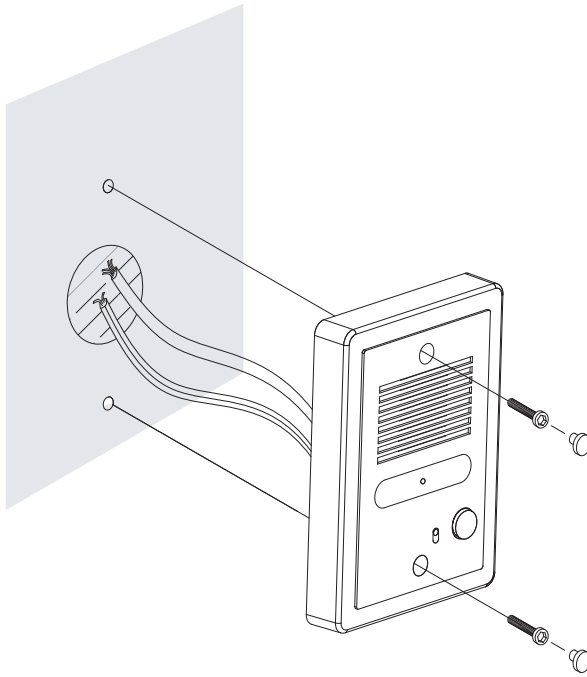
No.	Name	Contents
1	Front case	
2	Stationary hole	
3	Speaker	transmits visitor' s voice (outdoor->indoor)
4	Operation Status LED	
5	Microphone	transmits householder' s voice(indoor-outdoor)
6	Call button	
7	Door Release CABLE	12V \equiv Voltage output
8	CABLE	(White, Black -> Room station)

3. Wiring & Installation

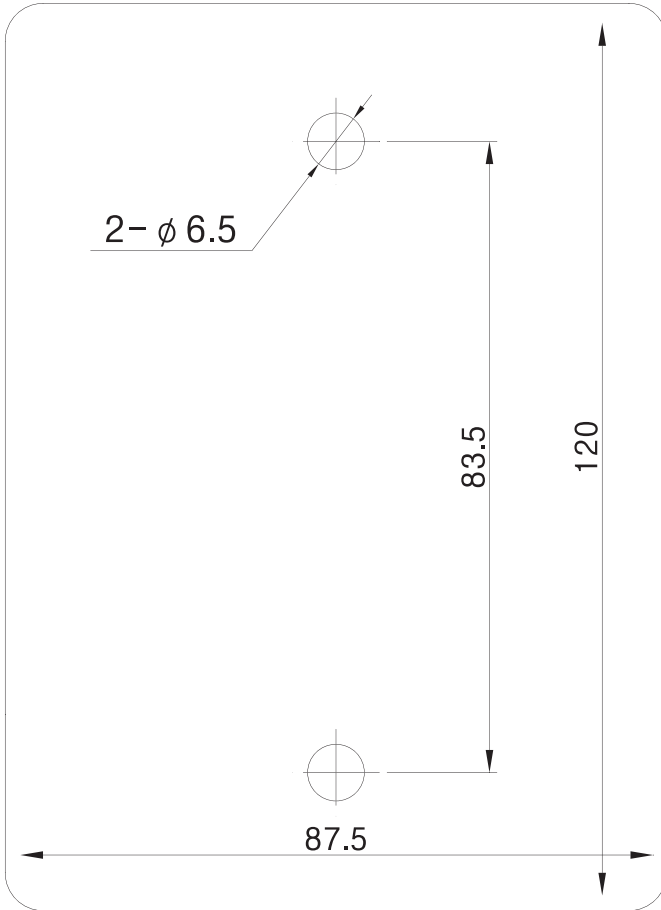
1. Connect Room station cables as appeared in the figure.(polarity with care)
2. Connect Door Release cable as appeared in the figure. (applied only for DR-2GR)
3. Check to see whether the system functions.



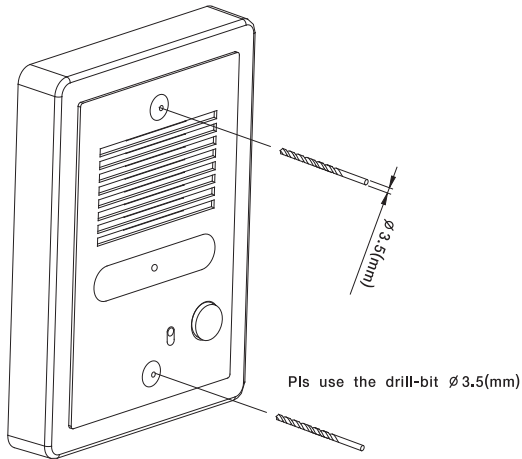
4. If there is no hole on the wall, you can allocate the wire on the groove around the case as appeared in the figure.



5. Place the system on the wall and mount with screws supplied.



< In case of taking the cover off >



4. Specification

specification	Model	DR-2G/2GR
Wiring System (household)		DOOR PHONE 2-wire system
Communication method		Synchronous Call System
Rated voltage		9V \equiv (Supplied from the DOOR PHONE)
Operating Temperature		-10 $^{\circ}\text{C}$ ~ +40 $^{\circ}\text{C}$
Dimensions		93.5(W) \times 126(H) \times 18(D)
Weight (g)		170
Communication distance		50m / $\varnothing 0.8$